

## **ERISTEL A**

**COUNTER FRAMES FOR HIGH EFFICIENCY AND ABSOLUTE FILTERS**



### **TYPICAL APPLICATIONS**

Frames suitable to fit:  
High efficiency filters  
Absolute filters  
Carbon filters

These frames are used in air handling units or to assemble filtering walls, in such situation, since high weights and pressures are involved, it is necessary to strengthen the construction with suitable strengthening elements. Each frame is supplied with four assembling nuts and bolts. The filter is blocked with four fixing brackets with hand wheels.

### **TECHNICAL CHARACTERISTICS**

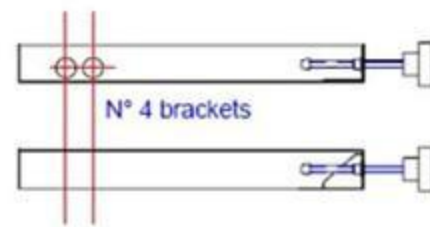
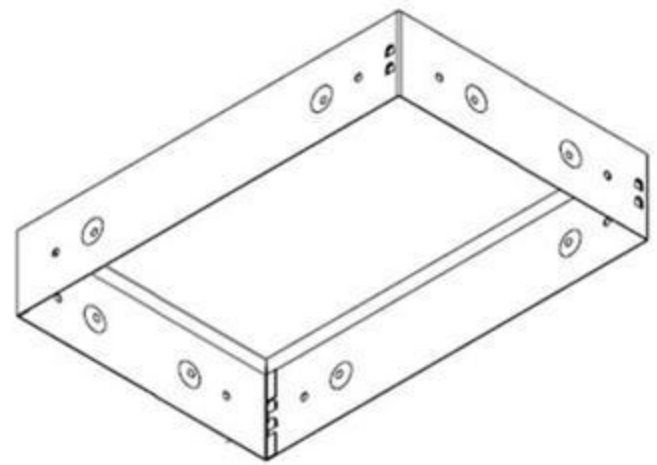
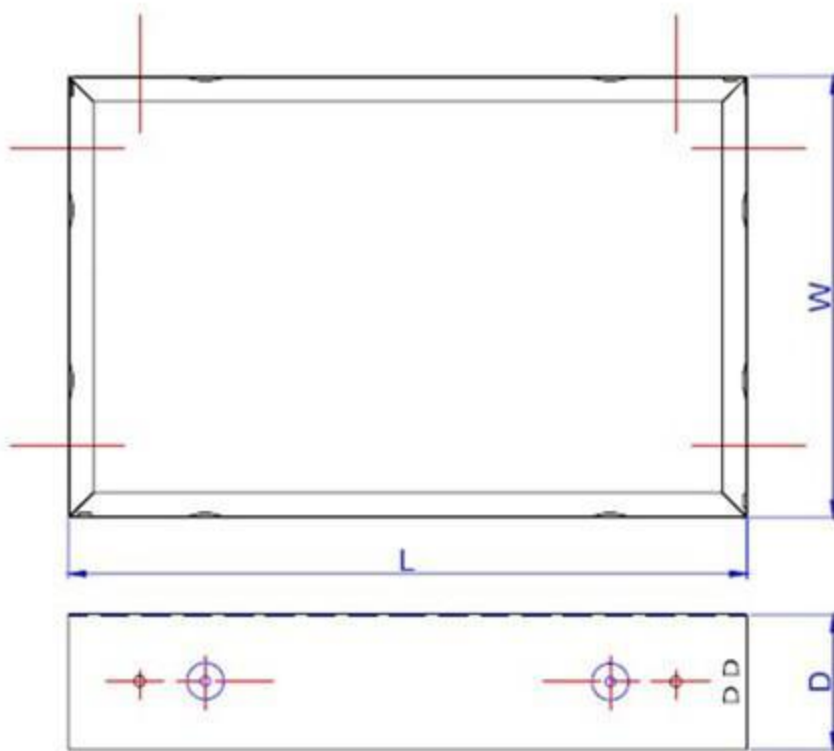
**MATERIAL** = Standard = Galvanized steel 10/10 mm (ET A )  
Special = Stainless steel (EX A)

**CLAMPING** = Fixing brackets

**ASSEMBLING** = Nuts and bolts each side.

# ERISTEL A COUNTER FRAMES FOR HIGH EFFICIENCY AND ABSOLUTE FILTERS

## STANDARD SIZES



CODE	Frame dimensions W x L x H mm	Filter dimensions mm	Weight kg	CODE
Galvanized steel				Stainless steel
ET A1	625 x 625 x 125	610 x 610 x 292	3,90	EX A1
ET A2	320 x 625 x 125	305 x 610 x 292	3,20	EX A2
ET A3	625 x 625 x 100	610 x 610 x 150	3,30	EX A3
ET A4	320 x 625 x 100	305 x 610 x 150	2,90	EX A4
ET A5	610 x 610 x 125	593 x 593 x 292	3,80	EX A5
ET A4	305 x 610 x 125	287 x 593 x 292	3,10	EX A6

The gaskets are mounted on absolute filters or on request